

Plastic Miniature Precision Pressure Regulator

R800 / R900

Description

Miniature precision regulator with high supply sensitivity. Made of plastic. Wetted sections corrosion-resistant. Hysteresis-free adjustment up to 20 turns, allows pressure setting to 2.5 mbar / 1" WC. compressed air or non-corrosive gases max. 10 bar

Media

Supply pressure Accuracy

at supply pressure variation of 1 bar:
at supply pressure removal/reapplication:
setting accuracy:

R800 / R900 / R901

< 7 mbar pressure deviation
< 7 mbar pressure deviation
< 2.5 mbar
0.35 l/min at 7 bar supply

R810 / R910 / R911

< 20 mbar pressure deviation
< 17 mbar pressure deviation
< 5 mbar
0 l/min,
flow > 20 ml/min recommended

Air consumption

Relieving function

relieving, optionally non-relieving (R.1.)

Relief capacity

15 l/min at 0.35 bar outlet above set-point

Temperature range

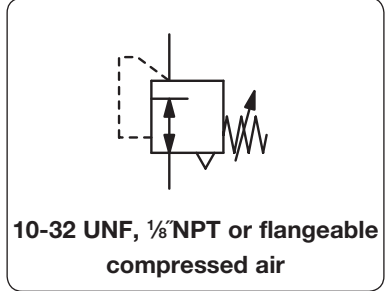
4 °C to 66 °C / 40 °F to 150 °F

Material

Body: polysulfones
Inner valve: polysulfones and stainless steel

Gauge port not available

Elastomer: NBR/Buna-N



Dimensions			Pressure adjustment	Flow rate	Pressure range	Order number for manifold with o-ring	Order number 10-32 UNF standard
A	B	C	by	l/min*1	bar		
mm	mm	mm					

Precision pressure regulator

supply pressure max. 10 bar, relieving, with constant bleed

R900

29	78	8	knob	65	0.01 ... 0.24	R900-3,5MWK	R900-3,5WK
					0.01 ... 0.7	R900-10MWK	R900-10WK
					0.01 ... 2.1	R900-30MWK	R900-30WK
					0.02 ... 4.2	R900-60MWK	R900-60WK
					0.02 ... 6.5	R900-90MWK	R900-90WK
29	60	8	spindle	65	0.01 ... 0.24	R900-3,5MWOS	R900-3,5WOS
					0.01 ... 0.7	R900-10MWOS	R900-10WOS
					0.01 ... 2.1	R900-30MWOS	R900-30WOS
					0.02 ... 4.2	R900-60MWOS	R900-60WOS
					0.02 ... 6.5	R900-90MWOS	R900-90WOS
29	43	8	preset	65	to be indicated	R901-..M	R901-..



R800-..WK mounting nut incl.

R900-..WK mounting nut incl.

Special options, add or change the appropriate number

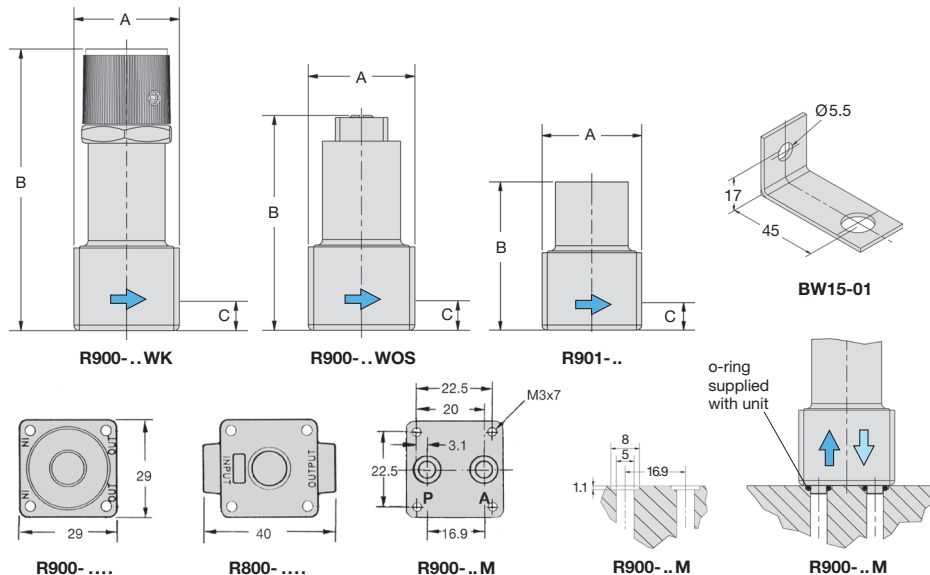
1/8" NPT non-relieving for oxygen

connection thread, width 40 mm without constant bleed specially cleaned

R8...W...
R.1.....
R.....15

Accessories, enclosed

mounting bracket made of steel for R800 and R900 BW15-01

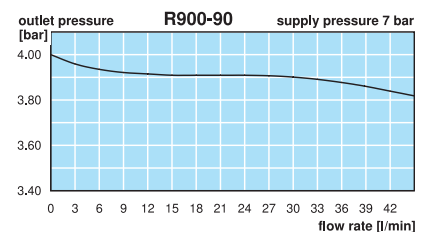
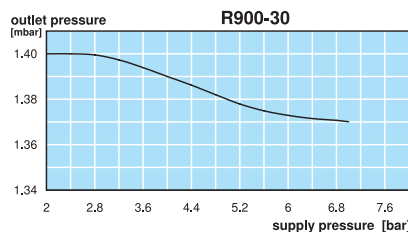
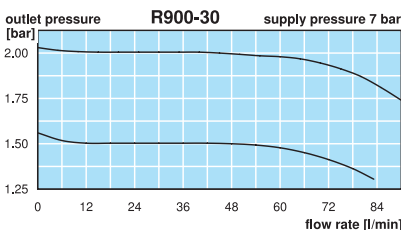


R910-..WOS mounting nut incl.



R901-..

R900-..MWOS mounting nut incl.



*1 at 7 bar supply pressure, 6 bar outlet pressure and 1 bar pressure drop

PDF CAD
www.aircom.net



Order example:
R900-3,5MWK